

1

2

3

4

A

A

B

B

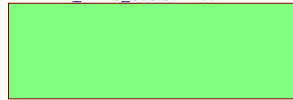
C

C

D

D

U_DRIVER_FETS_S08
DRIVER_FETS_S08.SchDoc



U_PSOC
PSOC.SchDoc



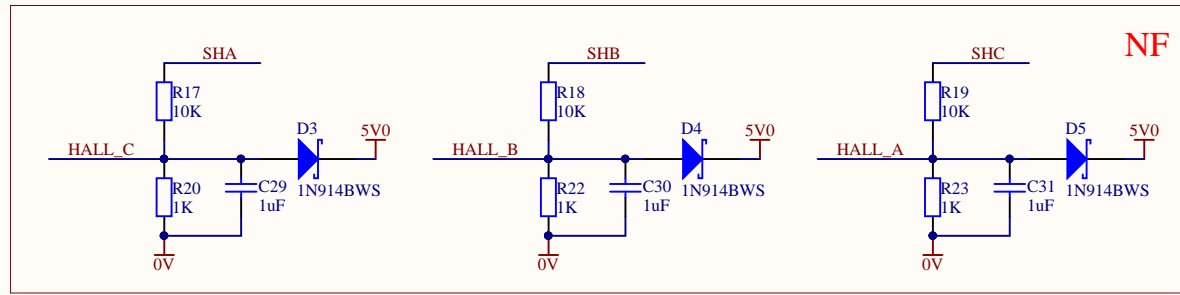
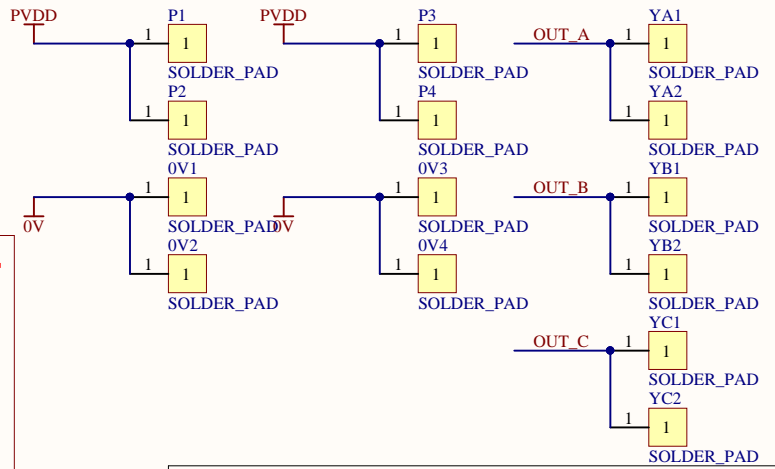
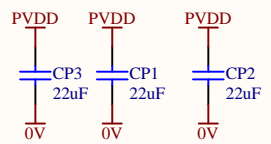
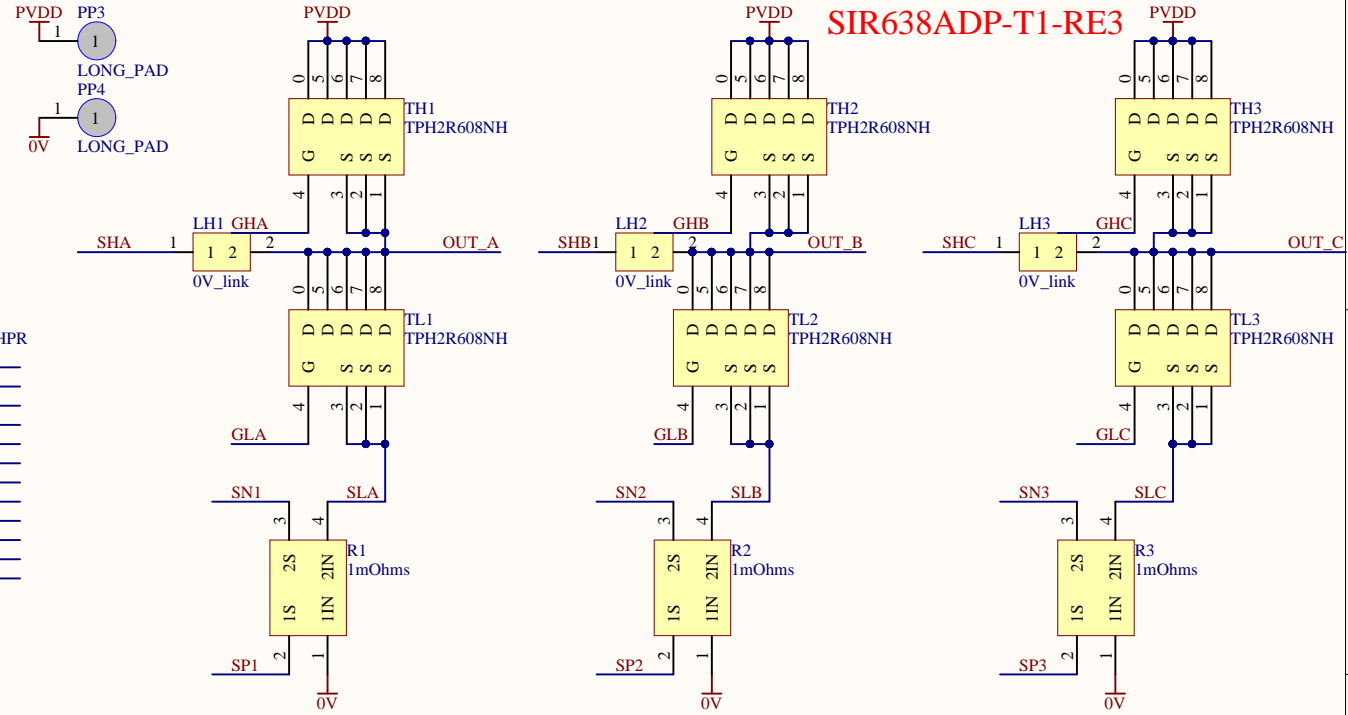
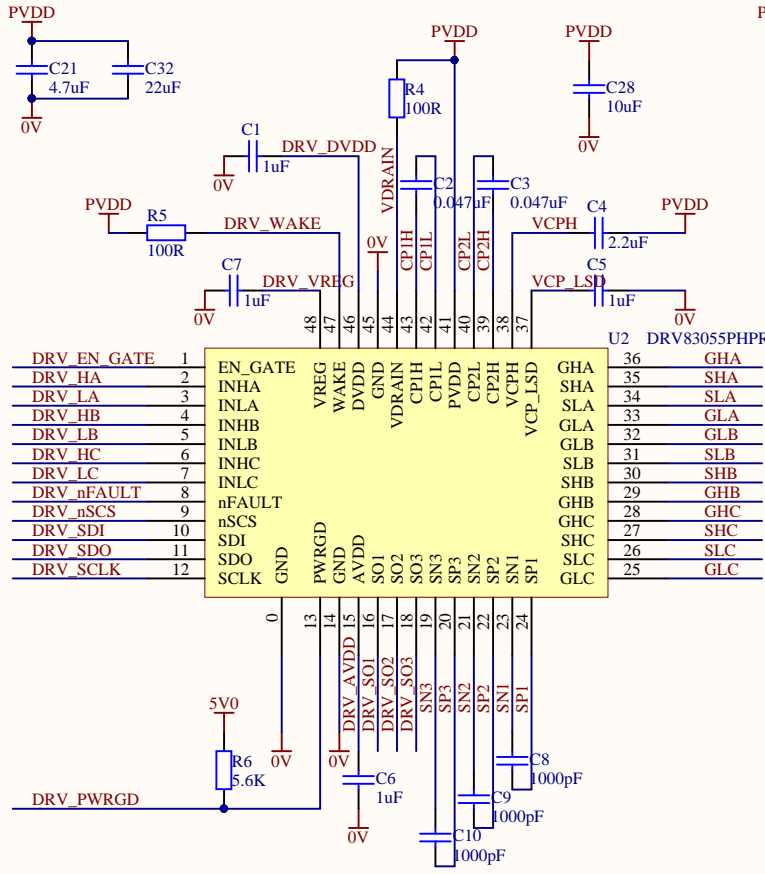
Title		
Size	Number	Revision
A4		
Date:	3/06/2018	Sheet of
File:	C:\play\...\Brushless_Main.SchDoc	Drawn By:

1

2

3

4



Title		
Size	Number	Revision
A4		
Date:	3/06/2018	Sheet of
File:	C:\play\DRIVER_FETS_S08.SchDoc	Drawn By:

A

A

B

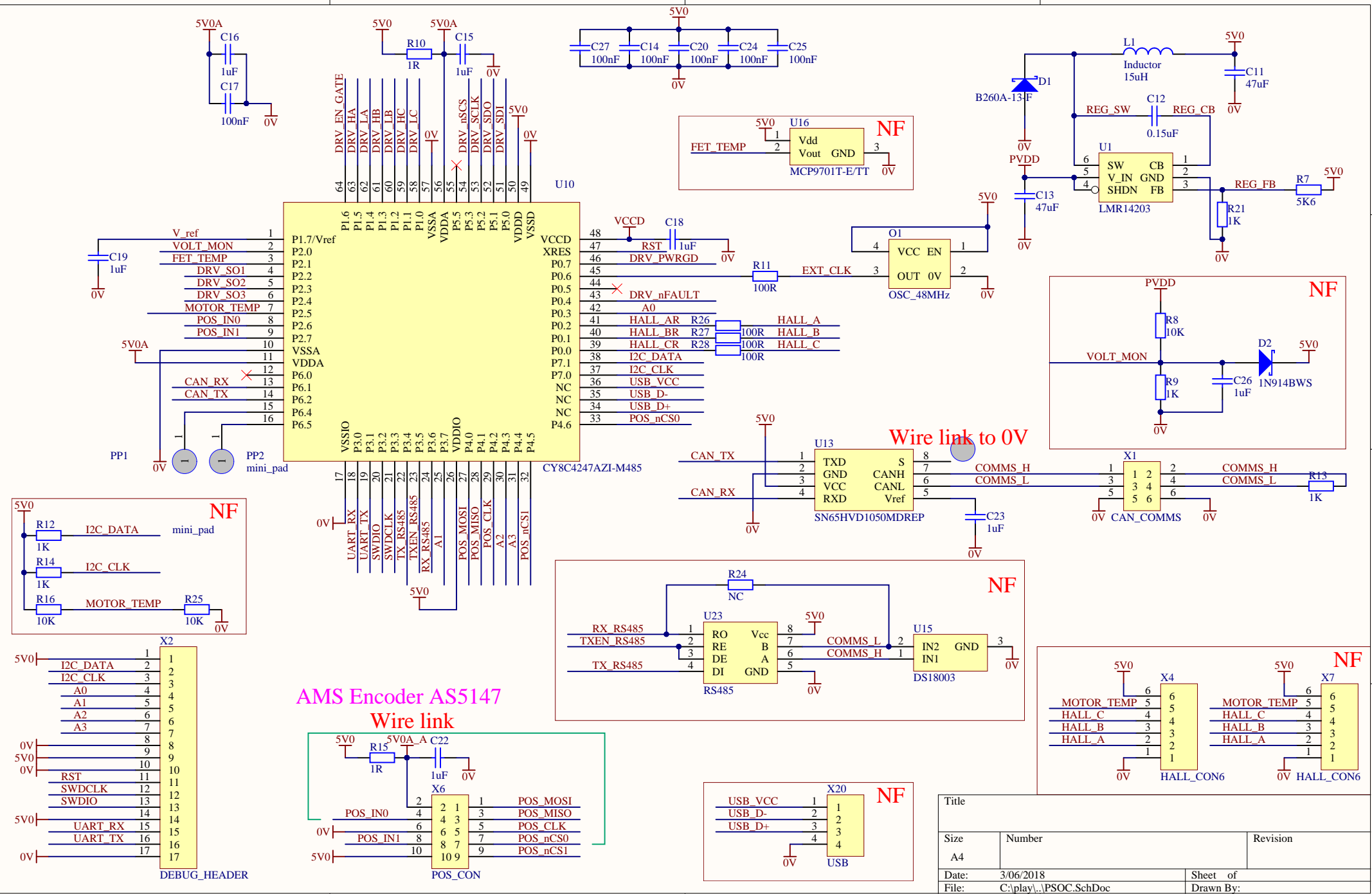
B

C

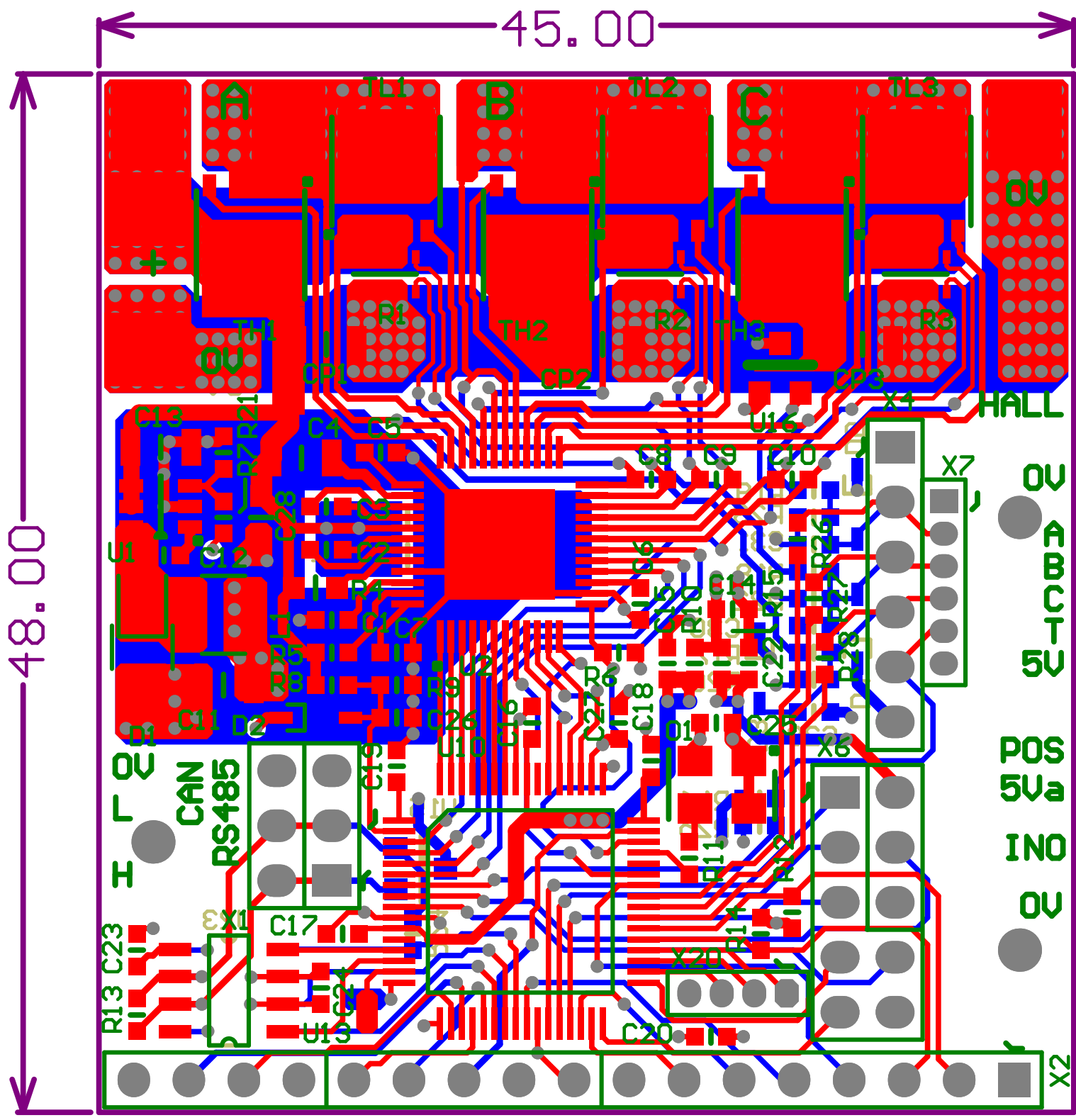
C

D

D

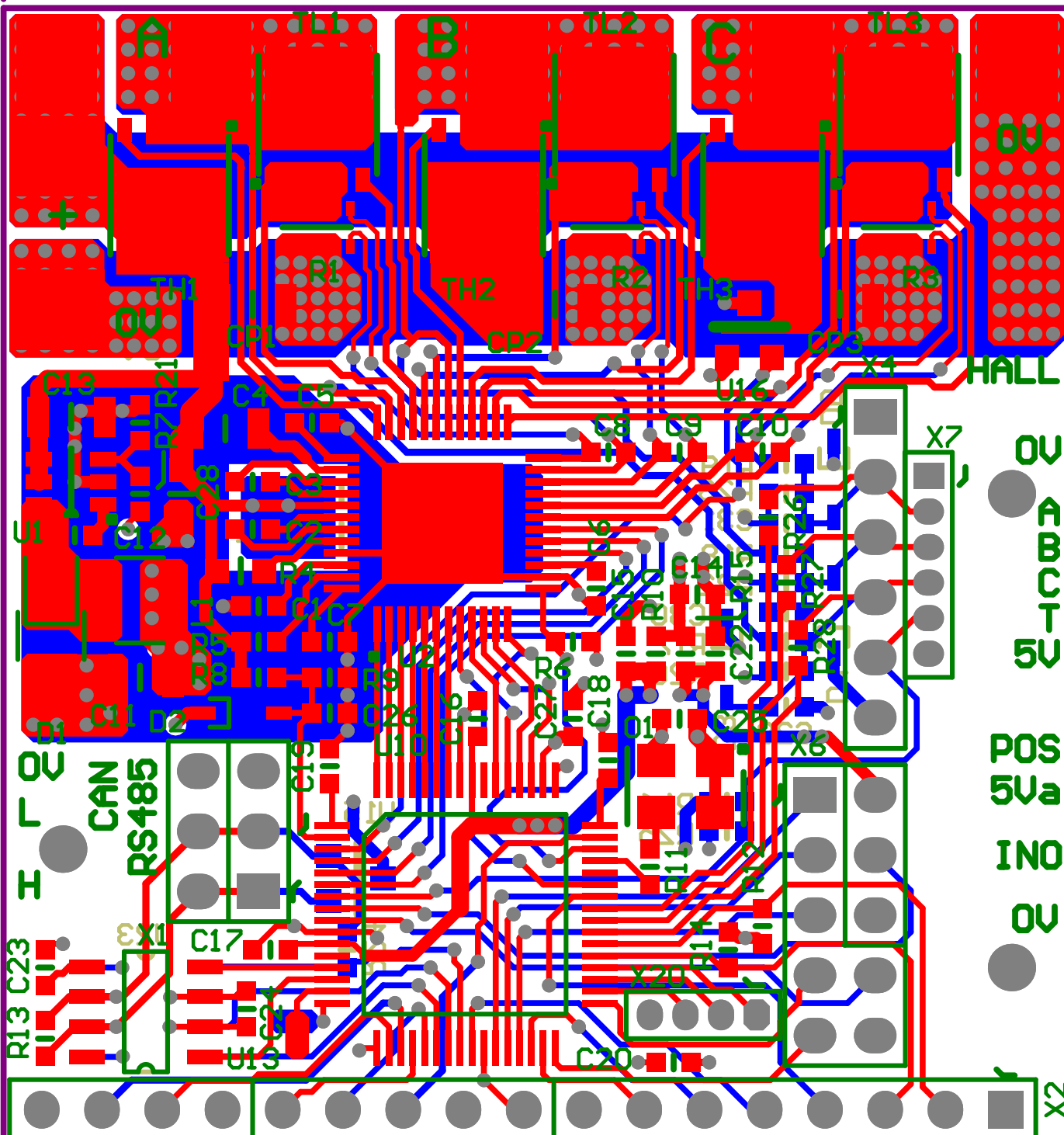


Title		
Size	Number	Revision
A4		
Date:	3/06/2018	Sheet of
File:	C:\play\...\PSOC.SchDoc	Drawn By:



45.00

48.00



OV
A
B
C
T
5V
POS
5Va
INO
OV

X2